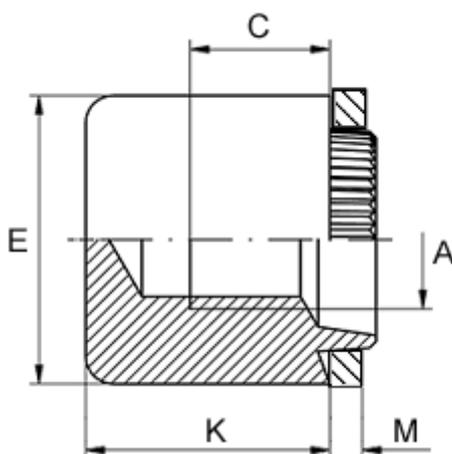


Article number: 12751000060110

Description: KLEE-coil 751 000 060.110  
M6 Steel, zinc-pl. & chr. blue

## Measures

---



Female thread A	= M6
Height K	= 11.0
Min thread length C	= 6.0
Outer diameter E	= 13.0
Plate thickness	= 2.9 to 3.1
Recommended bore diameter for extreme load	= 10.0
Recommended bore diameter for normal use	= 10.0